

DESCRIPTION

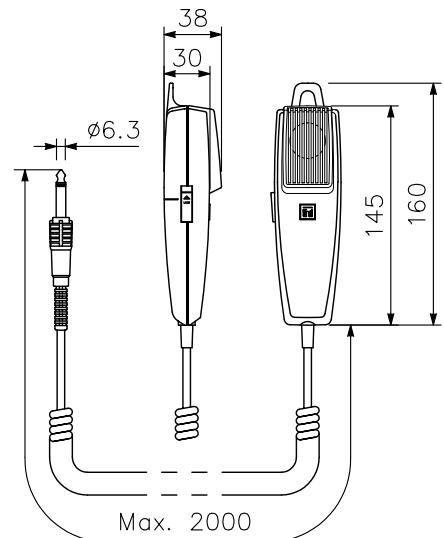
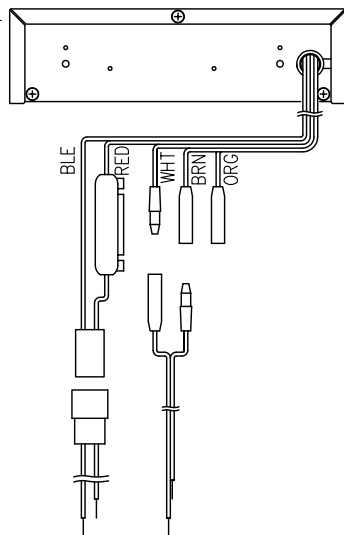
The CA-115 is a 1-DIN size unit 15 W car amplifier designed for use with a 12 V battery car.

SPECIFICATIONS

| | |
|----------------------|---|
| Power Source | Standard voltage: 14 V DC Usable voltage: 10 – 16 V DC (12 V battery used) |
| Power Consumption | 3 A or less at rated output |
| Rated Output | 15 W |
| Output Impedance | 4 Ω (BRN), 8 Ω (ORG), Common (WHT) Changeable by changing lead wire connections |
| Distortion | 5 % or less (at 1 kHz rated output) |
| Frequency Response | 100 Hz – 10 kHz |
| Input | Mic1, 2: 600 Ω, 4 mV, phone jack Aux: 10 kΩ, 500 mV, phone jack |
| Finish | Front panel: ABS resin, black Case: Zinc plated steel sheet |
| Dimensions | 178 (W) × 50 (H) × 132 (D) mm (Mounting device excluded) |
| Weight | 900 g |
| Accessory | Microphone holder 1, Mounting bracket 1, Mounting screw 1set, Fuse (4 A) 1, Connection cord 1set |
| Accessory Microphone | Unidirectional dynamic type with talk switch Impedance: 600 Ω Sensitivity : -53 dB (1 kHz, 0 dB = 1 V/Pa) |

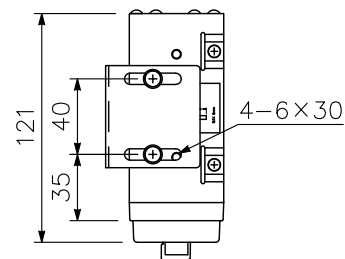
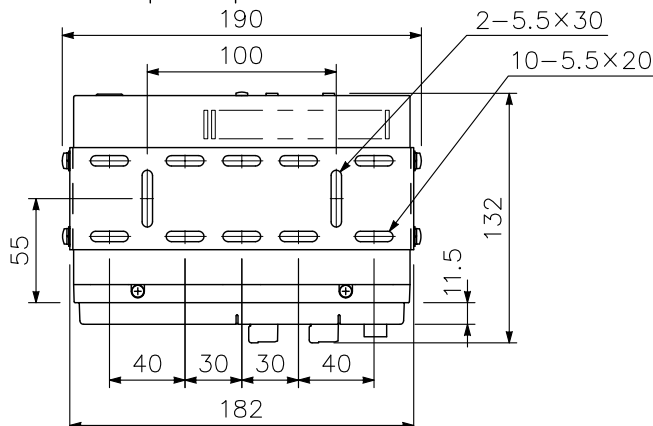
APPEARANCE

Rear View



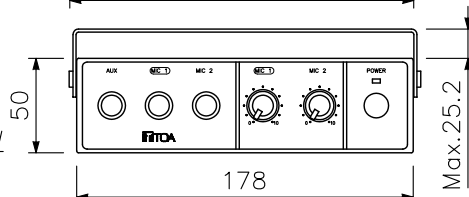
Accessory microphone (1/5)

Top View



Side View

Front View



UNIT:mm SCALE:1/4